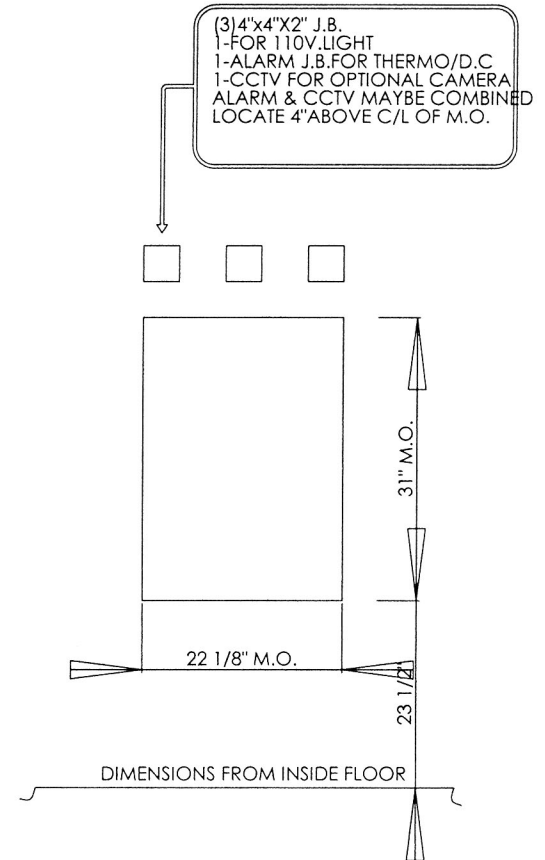
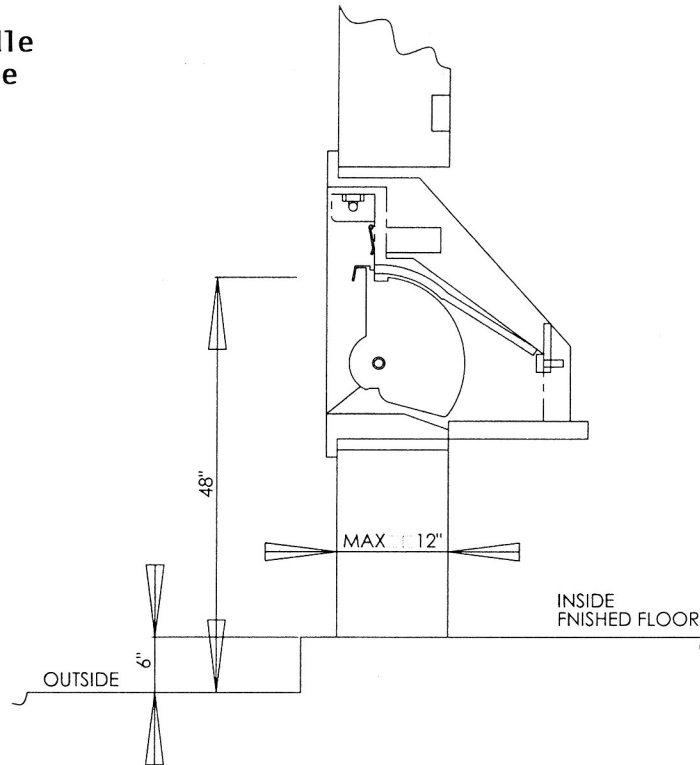
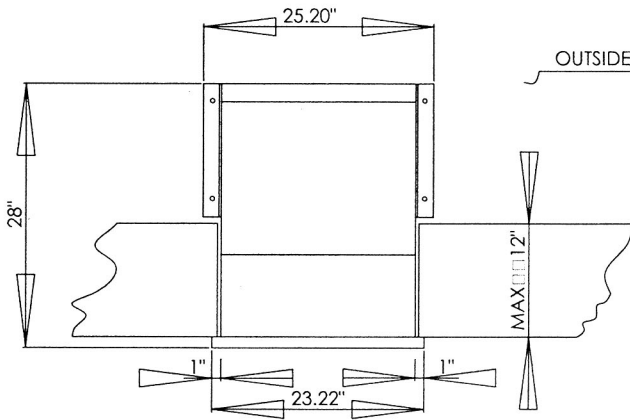
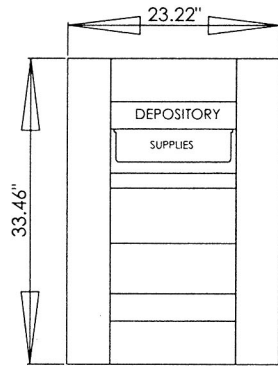


MASONRY OPENINGS
ALL DRIVE UP / WALK UP MODELS

Drive-up, 48" to handle
Walk-up, 64" to handle



NOTE:

1. IF WALK/FLOOR LEVEL ARE NOT THE SAME
NOTFY FOR SPECIAL CONFIGURATION
2. RECOMMEND-NIGHT DEPOSITORY SHOULD BE PLACED
UNDER CANOPY
3. HIGH LIGHTING MUST BE PROVIDED
4. RECOMMENDED(2)3/8" BOLTS IN BOTTOM TO ANCHOR SAFE

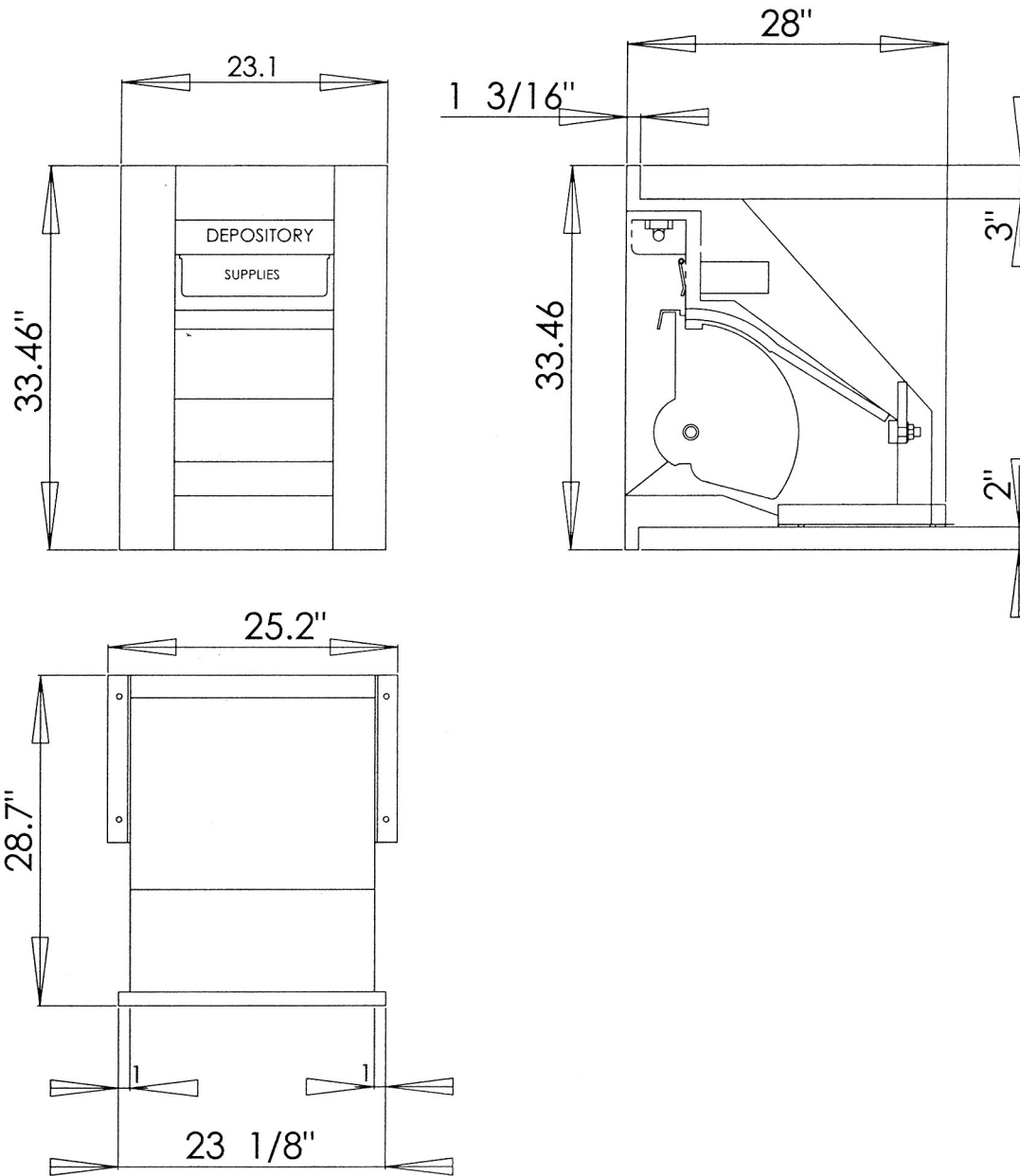
Bridgeman Security Products

510 West Washington Blvd.
Montebello California 90640

323 724-1287

fax 323 727-0236

NIGHT DEPOSITORY



Bridgeman Security Products

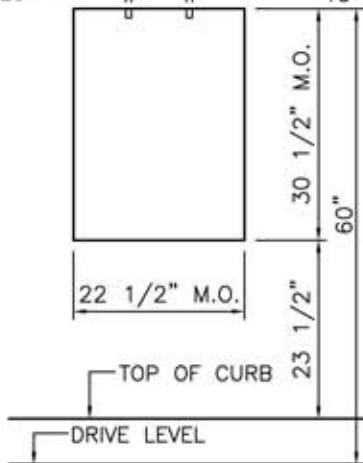
510 West Washingto Blvd.
Montebello California 90640

323 724-1287 fax 323 727-0236

Night Depository

SINGLE J-BOX WITH
3/4" CONDUIT AND
COVER PLATE FOR
ALARM AND VIDEO

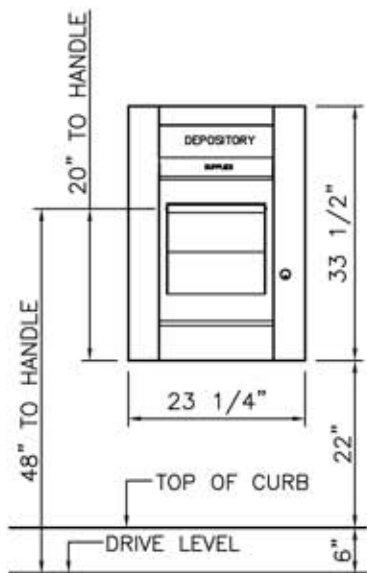
SINGLE J-BOX WITH
3/4" CONDUIT AND
COVER PLATE FOR
120V 15A SERVICE
TO DEPOSITORY SIGN



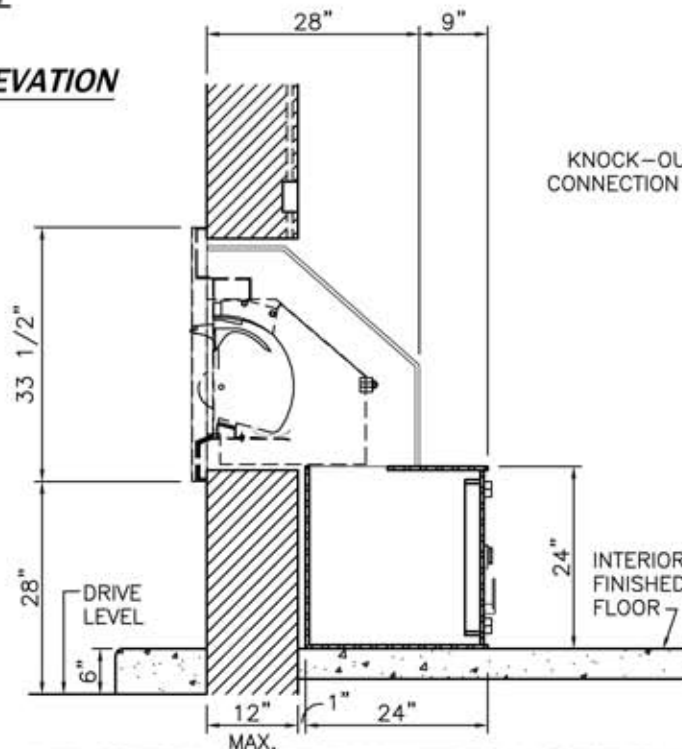
NOTE:

1. IF DRIVE LEVEL AND FINISHED FLOOR ELEVATIONS ARE NOT AS SHOWN NOTIFY FOR SPECIAL CONFIGURATION
2. RECOMMEND NIGHT DEPOSITORY SHOULD BE PLACED UNDER CANOPY
3. HIGH LIGHTING MUST BE PROVIDED
4. RECOMMEND (2) 3/8" BOLTS IN BOTTOM TO ANCHOR SAFE
5. INTERIOR WALL OPENING AROUND OUTER HOUSING IS TO BE FILLED (BY OTHERS) USING APPROPRIATE MATERIALS

WALL OPENING EXTERIOR ELEVATION

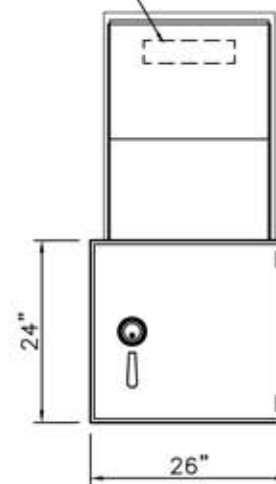


EXTERIOR ELEVATION



DEPOSITORY ASSEMBLY VERTICAL SECTION

KNOCK-OUT FOR ELECTRICAL CONNECTION TO LIGHT FIXTURE



INTERIOR ELEVATION

FINISH: COLOR	DOOR: RIGHT	BRIDGEMAN SECURITY EQUIPMENT Montebello, CA		PREPARED FOR:	DRAWING NAME: 305 Night Depository/24	
DRAWN BY: CWP		APPROVED BY:	REVISED: 10/11/06	PROJECT NAME:	DRAWING NUMBER: Bridgeman DU 242624	SHEET: 1 of 1