

INTERNATIONAL EUROVAULT

*Feature-packed Burglary and
Fire-Resistant Safe*

- **High Security Construction** —————
Using high density aggregate compound
- **3-Way Boltwork** —————
With massive 1¼" chrome-plated bolts with auto-lock bolt detent
- **Digital Lock (optional)** —————
All safes come standard with U.L. Listed Group IIM combination lock with satin finish dial, dial ring & handle.
- **Door and Body** —————
2" thick barrier walls and door slab
- **Shelves** —————
Adjustable shelves are standard
- **High Tensile Strength Hardplate** —————
Drill resistant stainless steel polished fascia panel
- **Key Lock** —————
High security key lock is standard most models
- **1-Hour Fire Protection** —————
Rated at 1500° incorporating expandable fire gasket surrounding door jamb



RETAIL



FINANCIAL



AMUSEMENT



HOSPITALITY



GAMING



RESTAURANTS

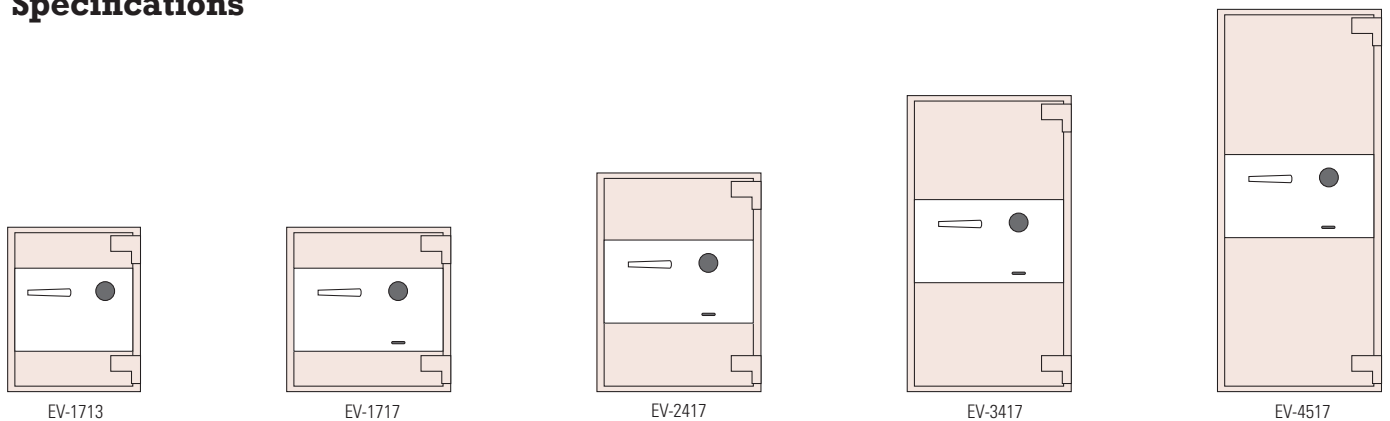


JEWELRY



INTERNATIONAL EUROVAULT

Specifications



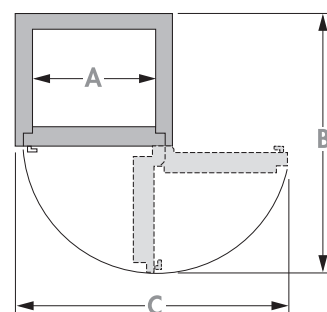
Model	Interior H x W x D (in)	Exterior H x W x D (in)	Weight (lbs)	Capacity (cu ft)	Shelves
EV-1713	17 x 13 x 13	21 x 17 x 19½	420	1.6	1
EV-1717	17 x 17 x 17	21 x 21 x 23½	550	2.8	1
EV-2417	24 x 17 x 17	28 x 21 x 23½	665	4.2	2
EV-3417	34 x 17 x 17	38 x 21 x 23½	900	5.6	2
EV-4517	45 x 17 x 17	49 x 21 x 23½	1,124	7.5	3

Door Swing Dimensions

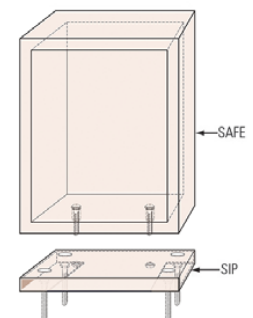
Model	Dimensions (in)		
	A	B	C
EV-1713	13	31	28
EV-1717	17	42½	38¼
EV-2417	17	42½	38¼
EV-3417	17	42½	38¼
EV-4517	17	42½	38¼

Add 2" to exterior depth for hinge projection.
Add 2" to exterior depth for handle projection.

Door Swing Projections



Security Installation Platform

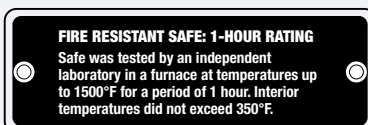


Each Eurovault Series Safe comes equipped with the revolutionary Security Installation Platform (SIP), an exclusive innovation that ensures accurate and secure installation.

Distributed By:

SOCALSAFE
Since 1915

510 Washington Blvd.
Montebello, CA 90640
(323) 724-5880 Telephone
(800) 334-6060 Toll Free
(323) 727-0236 Fax
www.socalsafe.com



All specifications are approximate and subject to change without notice.

©2020 Socal Safe Company. All Rights Reserved 2020-10-23_V02

Learn More at:
www.socalsafe.com
or call your
Socal Safe
Security Expert
Toll-Free
800-334-6060